

Steel Generator Distribution

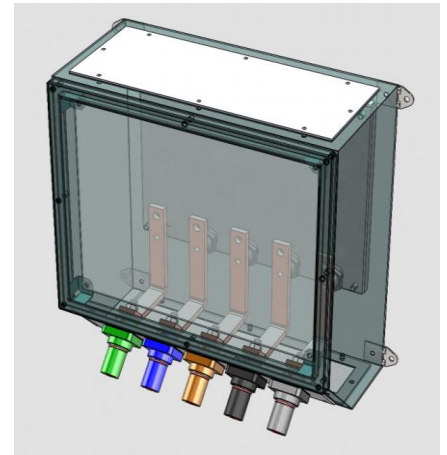
GCP400-630Se-1

Description

400A or 630A three-phase, neutral and earth distribution unit designed to allow a temporary generator connection (generator supplied by others). Equipment housed within a wall mounted steel enclosure. Powerlock (Drain) connections to 30x10mm copper bars with 300mm spreading distance for outgoing cables. 3mm aluminium top and bottom gland plates are provided for the customer.

Enclosure

Dark Grey (RAL7021) textured powder coated stainless steel construction (1.4003 grade). Other colour options maybe available by request. Powerlocks mounted on a 45 degree angle aluminum plate. 3mm aluminium top and bottom gland plates are provided. Assembled to IP54.



Connections

	Termination	Protection
Input	3P+N+E Powerlock (Drain)	N/A
Feed-Through	N/A	N/A
Outgoing	N/A	N/A

Dimensions

H 550mm x W 500mm x D 250mm

(Wall fixing centres are H 460mm x 530mm W horizontally. Changeable to vertical)

Weight

Approx. Weight - 24kgs

RENTAL CENTRES

Scotland & North ide Rental Ltd, Unit 8 Shawfield Trade Park, Rutherglen, Glasgow. G73 1DB Tel:0141 647 0850

The Midlands ide Rental Ltd, Unit 4A & D, Zone 2, Burntwood Business Park, Ring Road, Burntwood, Staffs. WS7 3JQ Tel:01543 674 759

The South ide Rental Ltd, Unit 13 Thurrock Trade Park, Oliver Road, Grays, Essex. RM20 3AL Tel:01708 863 963



ide Systems Ltd, Unit 3 Swaffield Park, Hyslop Close, Cannock, Staffs. WS11 7FU
Tel: 01543 574111 / 573555 Fax: 01543 571444 email: enquiries@idesystems.co.uk

SYSTEMS | RENTAL | ONLINE



RENTAL CENTRES

Scotland & North ide Rental Ltd, Unit 8 Shawfield Trade Park, Rutherglen, Glasgow. G73 1DB Tel: 0141 647 0850

The Midlands ide Rental Ltd, Unit 4A & D, Zone 2, Burntwood Business Park, Ring Road, Burntwood, Staffs. WS7 3JQ Tel: 01543 674 759

The South ide Rental Ltd, Unit 13 Thurrock Trade Park, Oliver Road, Grays, Essex. RM20 3AL Tel: 01708 863 963



ide Systems - VAT: 831 2126 71 | Registered No: 4973527
ide Rental - VAT: 199 1502 82 | Registered No: 9188454