

# Information Sheet for MD6 Spider

## MD6 Spider Product Description

A 63A three-phase (400V) rubber box distribution board designed to distribute temporary power from one area to another. The 63A plug and play distribution board is easy to relocate across site and blends in with the surrounding environment.

All switchgear and Tri-rated wiring is housed within a solid cast rubber enclosure. An integrated transparent window is used to allow visual identification of the switchgear status and allow access in event of a trip.

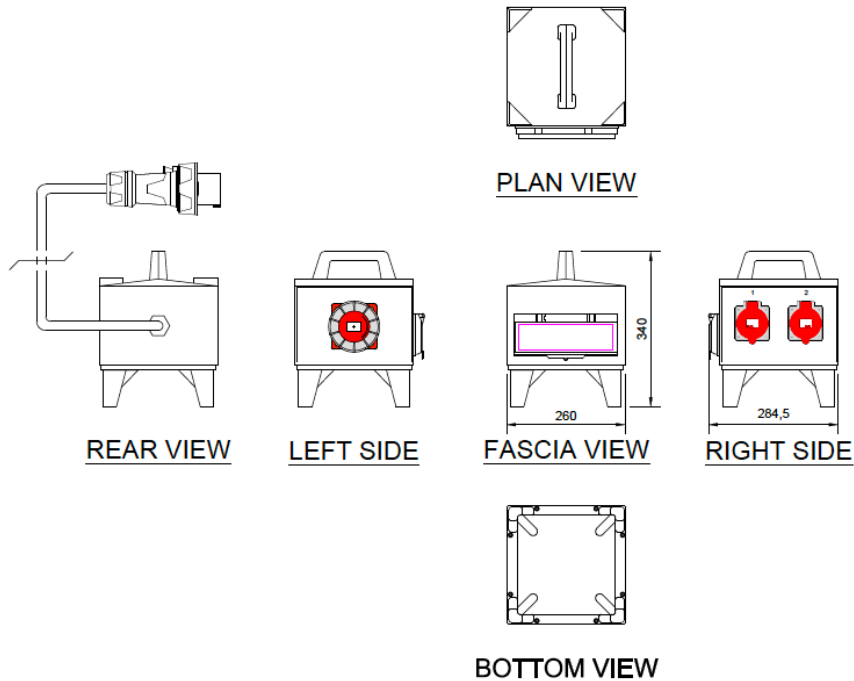
## Key Benefits

Incoming 63A supply plug sits on a 16mm 5 core 1 metre H07RN-F flying lead to allow ease of connection to a socket outlet.

The enclosure is a black, self-extinguishing, fully insulated, stackable, hard butyl rubber spider, with high resistance to chemical agents, atmospherics and current leakage. IK10 rated. 1.5 Metre Lead.



## Technical Information



### Product Socket Configuration

| Inlet    | Phase | Protection     | Earth Leakage | IP Rating |
|----------|-------|----------------|---------------|-----------|
| 63A      | 3     | No             | No            | 67        |
| Outgoing | Phase | Protection     | Quantity      | IP Rating |
| 32A      | 3     | 32A 4 Pole MCB | 2             | 44        |
| 63A      | 3     | No             | 1             | 67        |

### Other Features and Mechanical Information

| Phase Indication | Power Indication  | Lifting Handles    | Frame       |
|------------------|-------------------|--------------------|-------------|
| Enclosure        | Overall IP Rating | Size (mm)          | Weight (kg) |
|                  | 67                | H350 x W450 x D400 | 12kg        |
| Power Monitoring | Warranty          |                    |             |
|                  | 12 months         |                    |             |

Manufacturing Standard  
IEC 61439: Part 2 etc  
MD6Spider\_Version1\_11/2021